

ERGOSWISS

table lift systems



ADDITIONAL PRODUCTS
AND ACCESSORIES

Edition July 2020

Quick Ship Systems	5
Additional products	9
Hand crank and electronic accessories	17
Mounting accessories	29
Rubber feet and castors	35
Hydraulic accessories	39

MORE PRODUCTS,
MORE INFORMATION,
MORE POSSIBILITIES TO
WORK ERGONOMIC
CAN BE FOUND AT

WWW.ERGOSWISS.COM

AND IN OUR SOCIAL MEDIA.



Errors and technical changes reserved. Ergoswiss AG does not assume any liability for operating errors or using the products outside of the specified normal use. At the time of delivery Ergoswiss AG will replace or repair defect products within accordance with the warranty provisions. In addition, Ergoswiss AG assumes no other liability. For your questions and special custom demand Ergoswiss AG will be at your disposal.

Ergoswiss AG
Nöllenstrasse 15
CH-9443 Widnau
Tel.: +41 (0) 71 727 06 70
Fax: +41 (0) 71 727 06 79
info@ergoswiss.com



QUICK SHIP SYSTEMS

FROM STOCK READY TO SHIP.
ALREADY PACKED.

QUICK SHIP SYSTEMS

Quick Ship SL

2430 Art. No. 901.91003

2440 Art. No. 901.91004

[Purchase in the online shop!](#)



Complete spindle lifting system SL with control box, cable remote control and power cable EU/CH. Ready to ship.

- Control of 2 columns
- Max. load 400 kg
- Lifting speed 12 mm/s
- Max. stroke 300 or 400 mm

Packaging:

- Carton box 680 x 400 x 230 mm

Quick Ship Frame SL-2

1430 Art. No. 901.91053

1440 Art. No. 901.91054

[Purchase in the online shop!](#)



Complete table base frame with spindle drive. With cable remote control and power cable EU/CH. Ready to ship.

- Max. load 400 kg
- Lifting speed 12 mm/s
- Max. stroke 300 or 400 mm
- Crossbar 300 - 1550 mm

Packaging:

- Carton box 680 x 400 x 230 mm
- Carton box 1070 x 210 x 85 mm

Quick Ship SL FIX

2440 Art. No. 901.91005



Columns SL FIX. For workplaces that do not or rarely need to be adjusted in height. Ready to ship.

- Max. load 300 kg
- Fitting length 630 - 1030 mm
- Manually adjustable in 50 mm steps

Packaging:

- Carton box 680 x 400 x 230 mm

Quick Ship Frame SL-2 FIX

1440 Art. No. 901.91055



Complete table base frame SL-2 FIX. For tables that do not or rarely need to be adjusted in height. Ready to ship.

- Max. load 300 kg
- Fitting length 630 - 1030 mm
- Manually adjustable in 50 mm steps
- Crossbar 300 - 1550 mm

Packaging:

- Carton box 680 x 400 x 230 mm
- Carton box 1070 x 210 x 85 mm

Quick Ship SM

2430 Art. No. 902.91003

2440 Art. No. 902.91004

[Purchase in the online shop!](#)



Complete spindle lifting system SM with control box, cable remote control and power cable EU/CH. Ready to ship.

- Control of 2 columns
- Max. load 400 kg
- Lifting speed 12 mm/s
- Max. stroke 300 or 400 mm

Packaging:

- Carton box 680 x 290 x 230 mm

QUICK SHIP SYSTEMS

Quick Ship Frame SM-2

1430 Art. No. 902.91053

1440 Art. No. 902.91054

[Purchase in the online shop!](#)



Complete table base frame with spindle drive. With control box, cable remote control and power cable EU/CH. Ready to ship.

- Max. load 400 kg
- Lifting speed 12 mm/s
- Max. stroke 300 or 400 mm
- Crossbar 300 - 1550 mm

Packaging:

- Carton box 680 x 290 x 230 mm
- Carton box 1070 x 210 x 85 mm

Quick Ship SLA

Art. No. 903.81036

[Purchase in the online shop!](#)



Linear units SLA with spindle drive and control box, cable remote control, rubber feet and power cable EU/CH. Ready to ship.

- Control of 4 linear units SLA 1330
- Max. load 600 kg
- Lifting speed 9 mm/s
- Max. stroke 300 mm

Packaging:

- Carton box 760 x 260 x 180 mm

Quick Ship SLG

Art. No. 904.81036

[Purchase in the online shop!](#)



Linear units SLG with spindle drive and control box, cable remote control, rubber feet and power cable EU/CH. Ready to ship.

- Control of 4 linear units SLG
- Max. load 600 kg
- Lifting speed 9 mm/s
- Max. stroke 300 mm

Packaging:

- Carton box 760 x 260 x 180 mm

Quick Ship SQ

Art. No. 907.81036

[Purchase in the online shop!](#)



Complete spindle lifting system with 4 legs, control box, cable remote control, rubber feet and power cable EU/CH. Ready to ship.

- Control of 4 linear units SQ
- Max. load 600 kg
- Lifting speed 9 mm/s
- Max. stroke 300 mm

Packaging:

- Carton box 760 x 260 x 180 mm

Quick Ship LA

200 mm, HK Art. No. 111.30042

300 mm, HK Art. No. 111.30043

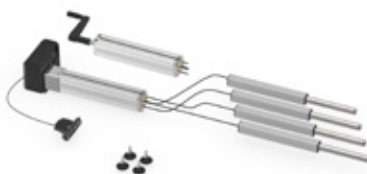
400 mm, HK Art. No. 111.30044

200 mm, M Art. No. 111.30232

300 mm, M Art. No. 111.30233

400 mm, M Art. No. 111.30234

[Purchase in the online shop!](#)



Linear units LA with hydraulic drive, with handcrank (HK) or motor (M), control box, cable remote control, rubber feet and power cable EU/CH. Ready to ship.

- Control of 4 linear units
- Max. load 350 kg
- Lifting speed 5mm/crank rotation or 15 mm/s
- Stroke 200 - 400 mm

Packaging:

- Carton box 890 x 300 x 200 mm

QUICK SHIP SYSTEMS

Quick Ship TQ

Art. No. 111.30323



Hydraulic lifting system with hand crank, pump and rubber feet. Ready to ship.

- Control of 4 linear units TQ
- Max. load 350 kg
- Lifting speed 5 mm/crank rotation
- Max. stroke 300 mm

Packaging:

- Carton box 890 x 300 x 220 mm



ADDITIONAL
PRODUCTS

TABLE BASE FC 650 3.0



Table base FC 650 3.0

RAL 9006 White aluminium Art. No. 116.00077

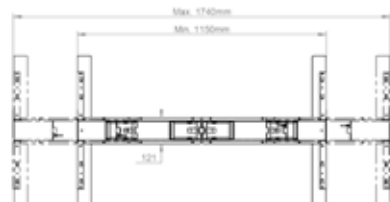
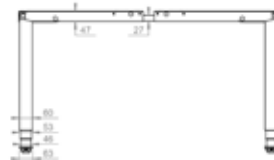
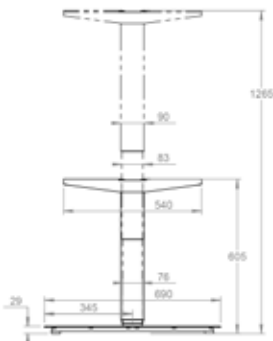
RAL 7016 anthracite Art. No. 116.00078

The table base FC 3.0 is used as a frame for an office desk or a simple assembly table. The table system can be assembled in a few minutes. As an accessory, we recommend the cable canal for optimum cable management and our PC holder.

[Purchase in the online shop!](#)

Technical specifications

- Max. load 100 kg
- Max. dyn. bending moment 200 Nm
- Stroke length 660 mm (600 - 1260 mm)
- Lifting speed 40 mm/s
- Voltage 230 V
- Power cable EU, CH
- Dimension outer profile 90 x 60 mm
- Plate length 1200 - 2000
- Plate depth 700 - 1200
- Color: RAL 9006 White aluminium or RAL 7016 anthracite powder coated



CABLE DUCT FC 650 3.0



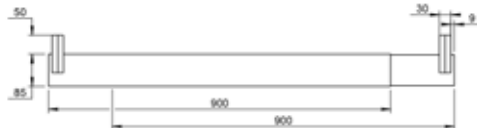
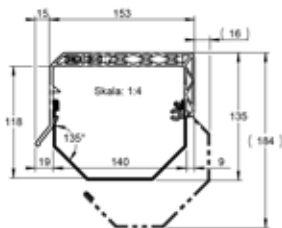
Cable duct FC 650 3.0
anthracite Art. No. 116.00081

Practical cable channel for mounting on table base FC 650 3.0 for optimal cable management. This minimizes tripping hazards and reduces the risk of accidents. In addition, the cable channel protects the electronic devices from cable damage.

Technical specifications

- Max. length 1684 mm
- Min. length 938 mm
- Foldable and telescopic
- Color: RAL 7016, anthracite

[Purchase in the online shop!](#)





Vertical cable guide

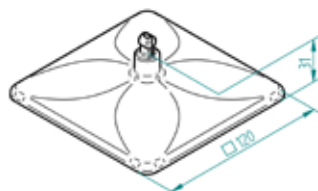
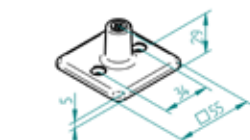
Art. No. 113.00145

The vertical cable guide is the perfect solution for modern sitting/standing workplaces, where the cables should be tidy stowed. With its tight bending radius, smooth unwindability and high flexibility, the cable management adapts flexibly to all positions of the desk. The optionally integrable magnetic holders enable a distance-free mounting on round and square table legs. The cables are inserted from both sides for both cable chambers and facilitate the removal or retrofitting of already fixed cable guides.

[Purchase in the online shop!](#)

Lieferumfang

- Black cable guide with 38 cable routing elements
- Table top mounting 55 x 55 mm incl. mounting material
- Footplate 120 x 120 mm
- 4 magnetic clips for attachment to the table leg
- Total length 1300 mm
- Weight 0.750 kg

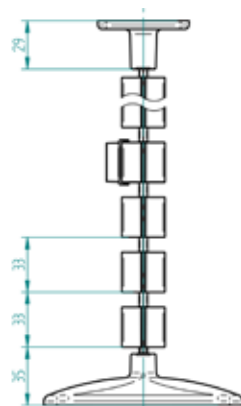


Tischplattenbefestigung (1x)
Table plate attachment
2x Holzschraube beige/1
2x Wood screws beige/1

Magnetclip (4x)
Magnet clip

Kabeldurchführungselement (38x)
Cable duct element

Fußplatte (1x)
Foot plate





CPU-holder

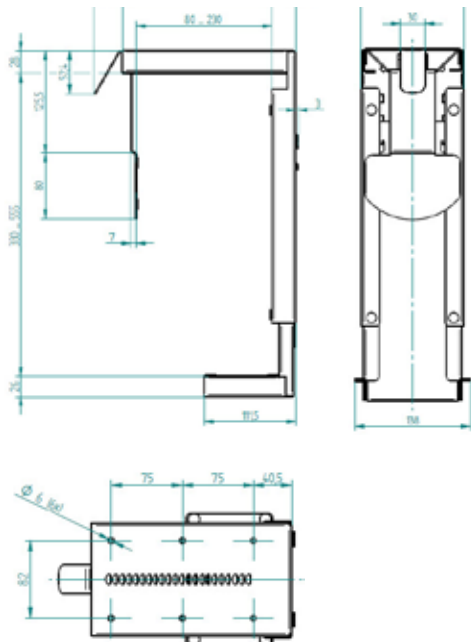
Art.Nr. 116.00021

Mount a CPU-holder on your table for more room for your legs. Additionally the dust load for the computer is reduced. Suitable for tower and desktop enclosures.

[Purchase in the online shop!](#)

Delivery

- Silver CPU-holder incl. mounting material
- Max. dimensions H 610 x B 310 x T 140 mm
- Max. capacity 20 kg
- For computers of 80 - 230mm width and 330 - 555 mm height
- Height and width are adjustable





Lifting castor set 4-HR 1803 D100

Art. No. 501.10101

The system consists of 4 castors with hydraulic driven levelling feet. Through the rotary motion of the hand crank the hydraulic oil is pressed out of the pump and flows through the hydraulic tubing into the connected levelling foot. The system functions independently of load and the 4 castors operate completely synchronously. Each lifting castor is equipped with 3 m hydraulic tubing. The tubing can be cut to the required size and be easily connected to the pump. On request, up to 10 lifting castors can be operated with one pump.

Packaging and Accessories

The set with 4 lifting castors and hydraulic pump is packed up in a cardboard box (590 x 395 x 150 mm) and contains the following accessories:

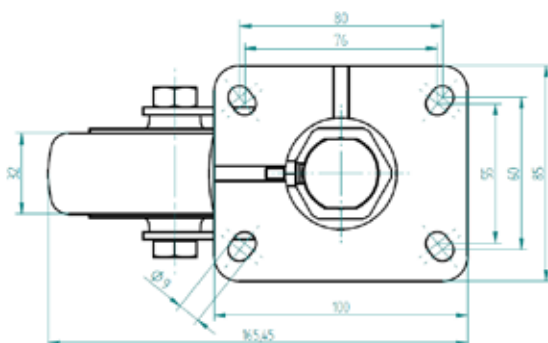
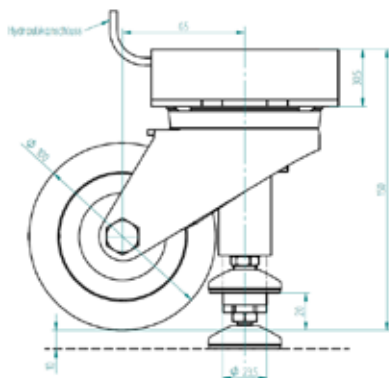
- 5 clamping rings
- 1 connection screw (spare part)
- 1 magnet
- 1 tubing cutter
- 1 ring spanner
- Assembly and operating instructions

Technical specifications

The castor with polyurethane wheels is made of injection-moulded, thermoplastic elastomer and has very low abrasion and low rolling friction with 94° Shore A

- Wheel-Ø 100 mm
- Wheel width 32 mm
- Total height 150 mm
- Plate size 100 x 85 mm
- Bearing castor: ball-bearing
- Max. system load per system of 4 750 kg
- Stroke 10 mm
- Tubing length 3 m

[Purchase in the online shop!](#)





Linear unit LH

14 Art. No. 306.10004

18 Art. No. 306.10014

Thanks to its slimline design, the linear unit LH is suitable for installation in a square tube. It is mainly used when large lifting distances are required. Four M5 screw threads are provided to mount the linear unit. The linear unit LH consists of two steel tubes. The galvanised guide tube is supported on bearings. The lifting movement is effected by hydraulic cylinders. The height is adjusted by means of a hydraulic pump operated by a hand crank or an electric drive unit.

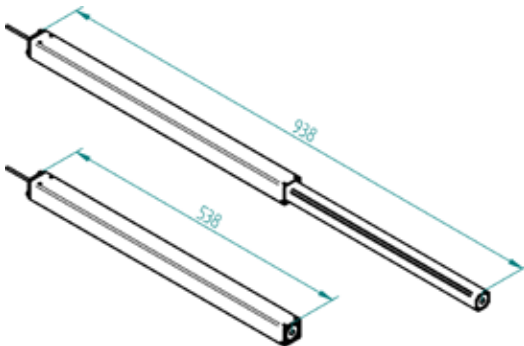
Accessories


- Adjustable feet made of rubber or aluminium
- Locking castors (load 70 kg)

Technical specifications

Linear unit with integrated hydraulic cylinders. Slimline design, suitable for large lifting distances.

- Max. load: 150 kg or 250 kg
- Stroke length 400 or 500 mm
- Max. static bending moment $M_b = 200 \text{ Nm}$
- Max. dynamic bending moment $M_{b\text{dyn}} = 70 \text{ Nm}$
- Max. system load: depending on pump
- Incl. tubing 4m pre-mounted
- Synchronous control of up to 10 table legs
- Color: RAL 9006, white aluminium, coated





HAND CRANK &
ELECTRONIC
ACCESSORIES

HAND CRANKS

Hand crank foldable

Art. No. 113.00005-PP

[Purchase in the online shop!](#)



The foldable hand crank is mounted to the pump shaft with a roll pin. The hand crank is not removable, but it is possible to fold it underneath the table. If the hand crank is ordered as a single part, the roll pin will be sent with the package.

Application:

- Pumps PA, PB, PF

Hand crank foldable RF

Art. No. 113.00090



It is similar to the foldable hand crank. All steel parts are made of stainless steel.

Application:

- Pumps PA, PB, PF

Hand crank removable

Art. No. 113.00013



It is possible to remove the hand crank after the height adjustment. This hand crank is just suitable with the pump shaft type A.

Application:

- Pumps PA, PB, PF

Hand crank W

Art. No. 113.00065



The foldable hand crank W is pinned with a grub screw onto the pump shaft type W. The grub screw and woodruff key will be sent with the package.

Application:

- Pumps PA, PB, PF

Hand crank with counter

Available upon request



To show the working height of Ergoswiss Systems with hand crank drive. Can be retrofitted as a kit in already installed systems.

Application:

- Hydraulic lifting systems with hand crank

HAND CRANKS

Hand crank 90° cpl.

Art. No. 113.00070



With the flexible 90° crankshaft and a straight crankshaft it is possible to mount the hand crank and the pump in a 90° angle. The straight crankshaft is 1m long, it can be shortened to your needed length.

Application:

- Pumps PA, PB, PF (only for typ W)

Safety Clutch

Art. No. 113.00022-PP

[Purchase in the online shop!](#)



If you want to protect your system from overload, you need to use the safety clutch. By using the safety clutch it is not possible to create a higher torque than 10Nm with the hand crank.

Application:

- Pumps PA, PB, PF (only for typ W)

Crank body

Art. No. 128.00002-PP

[Purchase in the online shop!](#)



Spare part for hand crank 113.00005/13/65/70/90

CABLE REMOTE CONTROL COMPACT

Cable remote control memory

Art. No. 124.00023-PP

[Purchase in the online shop!](#)



The cable remote control memory can save up to four height positions additionally to the normal up and down function.

- 4 memory buttons
- Cable length 1.9 m
- Can be slid underneath the table
- Softclick feeling of pressure

Application:

- Hydraulic lifting systems with electric drive (standard cable remote)
- Spindel lifting systems with compact drive

Replacement foil for cable remote control memory

Art. No. 124.00068-PP

[Purchase in the online shop!](#)



Self-adhesive replacement foil. Spare part for cable remote control memory 124.00023

Cable remote control Auf/Ab Front

Art. No. 124.00059



- Mounting underneath the table plate
- Ergonomic design
- Static installation
- Softclick feeling of pressure
- Up/Down function
- Cable length 1.8 m

Application:

- Hydraulic systems with motor unit
- Spindel lifting system with control box compact (standard cable remote)

Cable remote control Up/Down touch

Art. No. 124.00172



Will be removed in 2022 from the range!

- Mounting underneath the table plate
- Modern design
- Cable length 1.8 m

Application:

- Hydraulic systems with motor unit
- Spindel lifting system with control box compact

Cable remote control touch memory

Art. No. 124.00173



Will be removed in 2022 from the range!

- Mounting underneath the table plate
- Modern, flat design
- Up/Down function
- 4 memory options
- 4-digit display for «inch» and «cm»

Application:

- Hydraulic lifting systems with electric drive
- Spindel lifting systems with compact control box

CABLE REMOTE CONTROL COMPACT

Cable remote control touch inlay

Art. No. 124.00126



Will be removed in 2022 from the range!

- Mounting into the table plate
- Modern design
- Up/Down function
- 2 memory options
- 4-digit display for «inch» and «cm»

Application:

- Hydraulic lifting systems with electric drive
- Spindle lifting systems with compact control box

Radio remote control

Art. No. 124.00094



Remote control consisting of radio transmitter (incl. battery and holder), radio receiver, hand-held remote control and operating instructions.

Application:

- Hydraulic lifting systems with electric drive
- Spindle lifting systems with compact control box

Infrared remote control

Art. No. 124.00054



Remote control consisting IR transmitter (incl. battery and holder), R receiver and operating instructions.

Application:

- Hydraulic lifting systems with electric drive
- Spindle lifting systems with compact control box

Foot switch 01

Art. No. 124.00170



- Cable length 2 m

Application:

- Hydraulic lifting systems with electric drive
- Spindle lifting systems with compact control box

Control cable compact 2m

Art. No. 124.00136



A PLC or a cable remote control of your choice can be attached to the control cable.

- Cable length 2 m

Application:

- Hydraulic lifting systems with electric drive
- Spindle lifting systems with compact control box

Split cable for cable remote control

Art. No. 124.00070



With the split cable it is possible to connect two cable remote controls to the control box.

- Cable length 200 mm

Application:

- Cable remote control for compact control box

Extension cable for cable remote control

1m

Art. No. 124.00071



With the extension cable it is possible to extend the cable of the cable remote control.

- Cable length 1 m
- Maximum of 3 extension cables in series

Application:

- Cable remote control for compact control box

Motor cable PXD

Art. No. 124.00138



The motor cable connects the motor type **D** with the control box.

- Cable length 1 m

Application:

- Motors PAD, PBD, PFD

Motor extension cable 1.2 m

Art. No. 124.00137



The motor extension cable can be used to extend the motor cable of a PXD motor or a spindle lifting system.

- Cable length 1.2 m
- 2 cables are needed to extend the motor PXD
- Maximum of 5 extension cables in series

Application:

- Motors PAD, PBD, PFD
- Spindle lifting systems SL, SM

Cabel SYNC-2

Art. No. 124.00088



With the SYNC-2 cable it is possible to synchronize 2 control boxes. Both control boxes run in a parallel mode.

- Cable length 550 mm

Application:

- Systems with compact control boxes

Cabel SYNC-4

Art. No. 124.00089



With this cable it is possible to synchronize 2, 3 or 4 compact control boxes. All 2, 3 or 4 lifting systems run in a parallel mode.

- Cable length 1.8 m
- 1 cable per control box is needed (4 control boxes = 4 cables)

Application:

- Systems with compact control boxes

Squeeze line 2.5 / variable

Art. No. 124.00105



By attaching the squeeze line to a possible squeeze zone, the system immediately stops when the contact hose is crushed.

- Cable length 2.5 m, max 5 m
- Contact hose length variable

Application:

- Systems with compact control box

Split cabel sensor

Art. No. 124.00084



The split cable sensor is needed to use two squeeze lines or a squeeze line and a sync cable.

Application:

- Squeeze lines or sync cable for compact control box

Control Box compact-3-eco
230 V Art. No. 124.00140



This is the standard control box for a hydraulic system with motor unit.

- Supply Voltage 230 V/110 V
- Power 288 VA
- Standby power < 0.6 W
- Port for cable remote control

Application:

- Hydraulic lifting system with motor unit

Control box compact-3-eco
230V Art. No. 124.00150
110V Art. No. 124.00139



This is the standard control box for a spindle lifting system.

- Supply Voltage 230 V/110 V
- Power 360 VA
- Standby power < 0.6 W
- Port for cable remote control
- 1 - 3 ports for motor units

Application:

- Spindle lifting system SL, SM (230V/110V)
- Hydraulic lifting system with motor unit (110V)

Continuous operating control box PXD
Art. No. 124.00075



The continuous operating control box is a product to automatically adjust table systems under test conditions.

- Manual operation with hand switch
- Automatic mode
- Memory mode
- Up/Down mode

Cable remote control SCT Memory

Art. No. 124.00281



- 3 memory positions
- Fixed installation
- Cable length 2 m

Application:

- Systems with SCT control boxes

Cable remote control SCT up - down

Art. No. 124.00280



- Fixed installation
- Up/down function
- Cable length 2 m

Application:

- Systems with SCT control boxes

SCT compact extension cable 1.2m motor

Art. No. 124.00137



Extension cable for SCT/Compact Motor. Motor cables of lifting systems with DIN plugs can be extended with this cable.

- Cable length 1.2 m
- Max. 5 extension cables in series

Application:

- Spindle lifting systems with STC/compact control boxes

SCT SYNC-2 cable

Art. No. 124.00183



The cable connects 2 SCT control boxes with each other. 2 lifting systems can be operated at the same time.

- Cable length 4m

Application:

- Systems with SCT control boxes

Safety strip SCT cpl.

Art. No. 124.00157



By attaching the safety strip to a possible crushing zone, the system stops immediately when the contact hose is being driven up or crushed.

- Cable length 2.5 m
- Contact hose variable, Max. 5 m

Application:

- Systems with SCT control boxes

Control box SCT2 iSMPS 230V

Art. No. 124.00254



Control box for spindle lifting systems.

- Supply voltage 230 V
- Power 280 VA
- Standby power < 0.5 W
- Port for cable remote control
- 1 - 2 ports for motor units

Application:

- Spindle lifting systems SE, SL, SLA, SLG, SM, SQ

Control box SCT4 iSMPS 230V

Art. No. 124.00250



Control box for spindle lifting systems.

- Supply voltage 230 V / 110 V
- Power 340 VA
- Standby power < 0.5 W
- Port for cable remote control
- 1 - 4 ports for motor units
- Synchronous operation up to 8 lifting systems possible with SYNC cable

Application:

- Spindle lifting systems SE, SL, SLA, SLG, SM, SQ

Power cable EU

3m Art. No. 124.00142

5m Art. No. 124.00149



2 pole power cable with an European plug.

- Voltage 230 V
- Plug type CEE 7/7
- Cable length 3 m (124.00149 - 5 m)

Application:

- Systems with compact control box

Power cable CH

3m Art. No. 124.00143

5m Art. No. 124.00148



3 pole power cable with a Swiss plug.

- Voltage 230 V
- Plug type SEV 1011
- Cable length 3 m

Application:

- Systems with compact control box

Power cable UK 3m

Art. No. 124.00144



3 pole power cable with an English plug.

- Voltage 230 V
- Plug type Commonwealth
- Cable length 3 m

Application:

- Systems with compact control box

Power cable US 3m

Art. No. 124.00145



3 pole power cable with an American plug.

- Voltage 110 V
- Plug type NEMA 5 - 15
- Cable length 3 m

Application:

- Systems with compact control box 110 V



MOUNTING
ACCESSORIES

MOUNTING ACCESSORIES

Bracket D6

Art. No. 113.00029



Alternative mounting option for the piston rod of our cylinders.

- Stud diameter 6 mm

Application:

- Cylinder types CB, CD and CI

Bracket D8

Art. No. 113.00030



Alternative mounting option for the connection head of our cylinders.

- Stud diameter 8 mm

Application:

- Cylinder types CD and CE

Mounting plate type A

Art. No. 113.00003-PP

Mounting plate type D

Art. No. 113.00125-PP

[Purchase in the online shop!](#)



Mounting plate for linear units.

- Plate size 30 x 70 mm (A), 30 x 80 mm (D)
- Ø 5,8 mm drill hole

Application Typ A:

- Linear units LA, LD, LH, SLA

Application Typ D:

- Linear units LG, SLG

Mounting plate type B

Art. No. 113.00004-PP

Mounting plate type E

Art. No. 113.00126-PP

[Purchase in the online shop!](#)



Mounting plate for linear units.

- Plate size 30 x 35 mm (B), 30 x 45 mm (E)
- Incl. countersunk screw M6 x 40

Application Typ B:

- Linear units LA, LD, LH, SLA

Application Typ E:

- Linear units LG, SLG

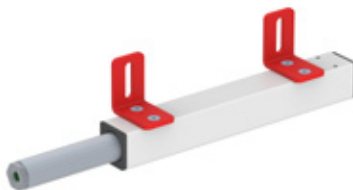
Mounting plate type C

Art. No. 113.00039-PP

Mounting plate type F

Art. No. 113.00127-PP

[Purchase in the online shop!](#)



Angle bracket for linear units.

- Angle 90° 50 x 50 x 32 mm (C), 55 x 55 x 32 mm (F)
- Ø 6,9 mm drill hole

Application Typ C:

- Linear units LA, LD, LH, SLA

Application Typ F:

- Linear units LG, SLG

MOUNTING ACCESSORIES

Tube fitting LA 28

Art. No. 113.00054-PP

[Purchase in the online shop!](#)



The tube fitting is used to mount the linear units onto a tube system.

- Tube diameter 28 mm
- ESD conductive

Application:

- Linear units LA, LD, SLA

Drilling template LA and LD

Art. No. 198.00149



The drilling template for the linear units LA and LD is made for an easier installation.

Table leg TA

TA 1440 2P Art. No. 306.00141

TA 1450 2P Art. No. 306.00142

TA 1840 2P Art. No. 306.00134

TA 1850 2P Art. No. 306.00135



The table legs TA 2P have got a mounting plate on each side to mount two crossbars to the table leg.

Application:

- Long tables with 5 or more TA legs

Plate carrier TA cpl.

Art. No. 115.00160



For mounting a table plate with a table leg TA.

- Dimensions 416 x 68 x 30 mm

Application:

- Frame TA

Plate carrier TA 550 / 75 cpl.

Art. No. 115.00161



The plate carrier TA 550/75 can be used, when the table leg TA is mounted against a wall. This way the table plate will get enough support of the long plate carrier.

- Incl. countersunk screw M6 x 10
- Dimensions 550 x 90 x 30 mm

Application:

- Table leg TA

MOUNTING ACCESSORIES

Plate carrier TA-C cpl.
Art. No. 115.00162



For mounting a table plate on tableleg TA.

- Dimensions 700 x 68 x 30 mm

Application:

- Frame TA-C, table leg TA

Angle bracket TA cpl.
Art. No. 127.00075



The angle bracket is used to anchor the table leg with a wall. The angle bracket is mounted onto the mounting plate with four M6 screws on the table leg TA.

- Incl. Raised countersunk-head screws M6x10
- Dimensions 130/53 x 50 x 3 mm

Application:

- Table leg TA

Cross bar TA cpl.

550 Art. No. 115.00150
750 Art. No. 115.00151
950 Art. No. 115.00152
1150 Art. No. 115.00153
1550 Art. No. 115.00154



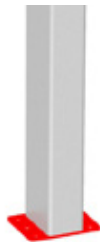
Union joint for TA table legs.

- Dimensions 550, 750, 950, 1150, 1550 x 80 x 50mm

Application:

- Frame TA, table leg TA

Foot plate TA both sides cpl.
Art. No. 127.00138



The foot plate TA is used to anchor the table leg on both sides into the ground.

- Incl. countersunk screw M6 x 25
- Dimensions 100 x 80 x 4 mm

Application:

- Table leg TA

Foot plate TA cpl.
Art. No. 127.00033



The foot plate TA is used to anchor the table leg into the ground.

- Incl. flat-head screw M6 x 25
- Dimensions 80 x 75 x 4 mm

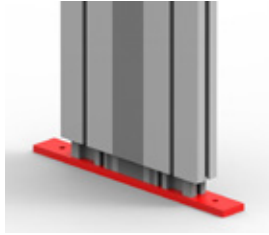
Application:

- Table leg TA

MOUNTING ACCESSORIES

Foot plate TT

Art. No. 126.00113



The TT foot plate is screwed to the tableleg TT and can be screwed to the rack or the floor using the two $\varnothing 9$ mm holes.

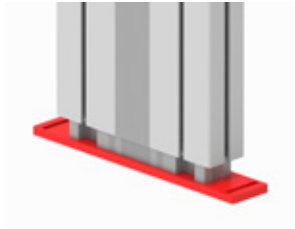
- Dimensions 360 x 40 x 10 mm

Application:

- Table leg TT

Foot plate SL

Art. No. 126.00108



With this foot plate the table leg SL can be mounted onto a crossbar or into the ground.

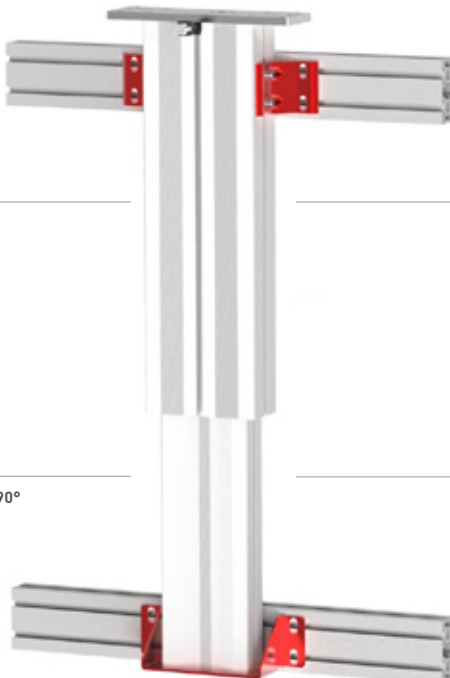
- Dimensions 270 x 53 x 10 mm

Application:

- Table legs SL, TL

Fastening angle SX 60x60 cpl.

Art. No. 113.00150



With the fastening angle the SL and SM table legs can be attached to a wall or slot profile.

- Delivery includes 1 angle
- Incl. screws M8
- Incl. T-slot nuts
- For profiles with nut distance 30 to 50 mm

Application:

- Lifting columns SL, SM, TL, TM

Adaptor sheet SM 90°

Art. No. 127.00630



The adaptor sheet is used to mount the inner column profile onto a wall or a T-slot profile.

- Excl. screws (these are supplied with the table leg)
- For profiles with T-slot distance from 30 to 50 mm

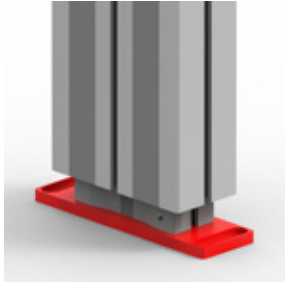
Application:

- Lifting columns SM and TM
- Lifting columns SL and TL on request

MOUNTING ACCESSORIES

Foot plate SM

Art. No. 126.00132



With this foot plate the table leg SM can be mounted onto a crossbar or into the ground.

- Dimensions 200 x 60 x 10 mm

Application:

- Table legs SM, TM

Table plate support SM/TM

Art. No. 115.00166



For mounting a table plate on tableleg SM / TM.

- Dimensions 450 x 270 x 40 mm

Application:

- Table legs SM-1, TM-1

Table leg SM

Art. No. 115.00167



This table leg is screwed to the lifting column SM / TM. The regulating feet are included

- Dimensions 580 x 610 x 40 mm

Application:

- Table legs SM-1, TM-1

T-slot nut 12.5 x 6 M6 Fk

Art. No. 142.00217



- Length 22 mm
- Width 12.5 mm
- Height 6 mm
- Height with Federkugel 7.6 mm
- Thread M6

Application:

- Ergoswiss T-slot 8

T-slot nut 12.5 x 6 M8 Fk

Art. No. 142.00218



- Length 22 mm
- Width 12.5 mm
- Height 6 mm
- Height with Federkugel 7.6 mm
- Thread M8

Application:

- Ergoswiss T-slot 8

T-slot cover strip

Art. No. 142.00285



The T-slot cover strip can be clipped into any 8mm t-slot profile and cut to size if required.

- Length 730 mm
- Material PVC
- Color: grey



RUBBER FEET & CASTORS

RUBBER FEET & CASTORS

Rubber foot M10 x 28

Art. No. 113.00006-PP

[Purchase in the online shop!](#)



Rubber foot with thread M10 x 28 and vulcanized rubber coating.

Incl. M10 counter nut

- System load of 75 kg

Application:

- Linear units LA, LD, LG, LH, SLA, SLG
- Columns SE, SL, SM, SQ
- Table legs TA, TL, TM, TQ, TT, TU

Rubber foot M10 x 28 RF

Art. No. 113.00052



Stainless alternative to rubber foot 113.00006.

- System load of 75 kg

Application:

- Linear units LA, LD, LG, LH, SLA, SLG
- Columns SE, SL, SM, SQ
- Table legs TA, TL, TM, TQ, TT, TU

Aluminium foot D50 x 35

Art. No. 113.00028



There are 3 drill holes which allow to anchor the foot into the ground.

- 3 x Ø 5,5 mm TK 40
- Screw shaft M10 x 25 mm

Application:

- Linear units LA, LD, LG, LH, SLA, SLG
- Columns SE, SL, SM, SQ
- Table legs TA, TL, TM, TQ, TT, TU

Hinge foot M10 x 20

Art. No. 113.00095-PP

[Purchase in the online shop!](#)



Rubber foot for high loads, thread M10 x 20.

- Incl. M10 counter nut
- System load of 400 kg
- ESD conductive

Application:

- Linear units LA, LD, LG, LH, SLA, SLG
- Columns SE, SL, SM, SQ
- Table legs TA, TL, TM, TQ, TT, TU

Castor LA 100 cpl.

Art. No. 113.00040



- Roll diameter 100 mm, Height 121 mm
- Screw shaft M10
- Max. system load of 70 kg
- 360° swiveling
- With break

Application:

- Linear units LA, LD, LG, LH, SLA, SLG
- Columns SE, SL, SM, SQ
- Table legs TA, TL, TM, TQ, TT, TU

RUBBER FEET & CASTORS

Double castor D50 cpl.

Art. No. 113.00067



- Roll diameter 50 mm, Height 71 mm
- Incl. fastening screw M10
- Max. system load of 80 kg
- 360° swiveling
- With break

Application:

- Systems LA, LG, LH, TQ, SLA, SLG

Castor 125 cpl.

Art. No. 113.00033



- Roll diameter 125 mm, Height 165 mm
- Fastening with 4 M6 x 25 countersunk screw
- Max. system load of 180 kg
- 360° swiveling
- With break

Application:

- System TA



HYDRAULIC ACCESSORIES

HYDRAULIC ACCESSORIES

Tubing black 4.0x0.9

Art. No. 113.00002



- Outer diameter 4 mm
- Inner diameter 2.2 mm
- Wall thickness 0.9 mm
- Max. operating pressure 100 bar
- Burst pressure 420 bar
- Minimum bending radius 25 mm

Please read the assembly instructions.

Connecting screw

Art. No. 125.00021



Due to the clamping ring connection, the hydraulic tubing is tightly fixed to the pump, respectively to the cylinder.

When tightening the connection screw (10 - 12 Nm), the clamping ring will squeeze itself onto the tubing.

Application:

- Tubing outer diameter 4 mm

Clamping ring

Art. No. 125.00022



Due to the clamping ring connection, the hydraulic tubing is tightly fixed to the pump, respectively to the cylinder. The clamping ring will squeeze itself onto the tubing when tightening the connection screw

Application:

- Tubing outer diameter 4 mm

Connection kit pump 4

Art. No. 113.00104



The connection kit includes::

- 1x Connection screw
- 5x Clamping rings
- 1x Magnet

Tubing plug

Art. No. 142.00198



For the transportation of a prefilled tubing, a tubing plug is needed. With the tubing plug all the prefilled hydraulic oil stays in the tubing.

Application:

- Tubing 113.00002

HYDRAULIC ACCESSORIES

Pre assembling tubing

Art. No. 199.00003



The prefilled tubing is connected to the cylinder, linear unit or table leg. The other end of the tubing is sealed. Before connecting the tubing to the pump, the sealed end of the tubing needs to be cut of.

Tubing assembly (complete)

Art. No. 119.00004



The tubing is connected to the cylinder and the pump. This is just possible with cylinders or linear units.

Advantage:

The system is ready to use.

Disadvantage:

It is not possible anymore to lay the tubing through holes or profiles.

Oil

250ml Art. No. 113.00009

1 liter Art. No. 113.00082

250ml «no tox» Art. No. 113.00036

1 liter «no tox» Art. No. 113.00083



The oil is available in two sizes and is used to refill the hydraulic system. The hydraulic oil is called Castrol Hyspin AWS 15.

For companies which process food, it is possible to use our system with a food-grade hydraulic oil [according to US 21]. The article number of these systems start with a 2 and get the ending «no tox».

Service kit

Art. No. 113.00008-PP

«No tox» Art. No. 113.00081-PP

[Purchase in the online shop!](#)



The service kit includes:

- 250 ml Oil
- Injection 20ml with needle
- Tubing cutter
- Box wrench size 10/11
- Clamping rings and connecting screws
- Magnets

Y-connection

Art. No. 113.00015



To connect two pressure elements with one cylinder the Y-connection is needed. The lifting speed will be doubled but the lifting load will be halved.

Please get in touch with our technicians to help you get the most suitable system.

L-connection

Art. No. 113.00017



With the L-piece, two tubings can be connected with each other. This serves for the tubing extension or tubing repair.

For bending radius <math><25\text{ mm}</math>.

Straight connection

Art. No. 113.00038



It is possible to connect two tubings with the straight connection. The straight connection is used for tubing extension or for tubing repair.

Tubing coupling click

Art. No. 113.00048



The tubing coupling click is used to disconnect the tubing without losing oil. Coupling and decoupling is possible up to a maximum pressure of 30 bars.

EXCESS FLOW CUT-OFF VALVE



All Ergoswiss Cylinders, linear units and table legs are available with excess flow cut-off valve. Please contact our technicians for more information.

For more safety with heavy loads it is possible to use the excess flow cut-off valve. In the cylinder head, right before the tubing outlet, there is an excess flow cut-off valve which switches at too high flow rate. This prevents an uncontrolled descent or tilting of the table. The cylinder doesn't bounce for loads <50 kg. Then the table lowers slowly. The excess flow cut-off valve is integrated in the cylinder, no additional assembling is needed.

Technical specifications

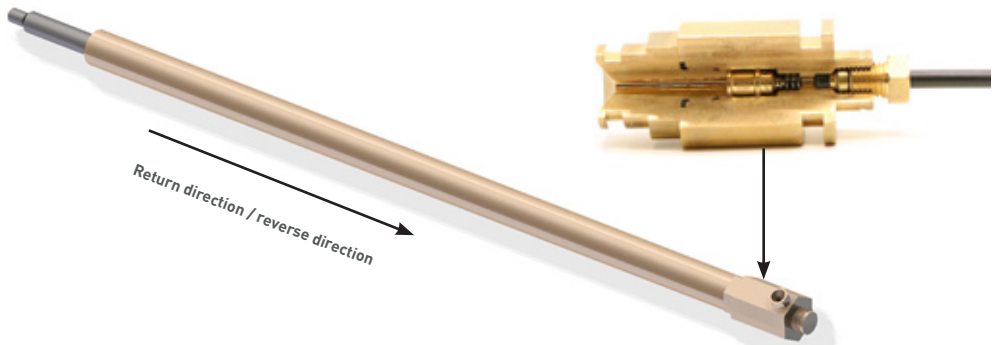
Cut-off volume flow

- 300 ml/min

This is the retracting speed of 20mm/s if a cylinder with a diameter of 18mm is used.

The highest possible volume flow during operation is

- 140 ml/min = lifting speed 9 mm/s



If a hydraulic hose is unintentionally torn off when the hydraulic system is extended, the oil can flow out of the cylinder unrestrained. The system sinks slowly and asynchronously and the following dangers may arise:

- Person is pinched by the system
- The object tilts, shifting the center of gravity
- A load falls off the object

Especially at high system loads, these hazards can result in serious injury to people and damage to the environment.

By a clean laying of the hoses the danger of a mechanical damage and a torn off can be clearly minimized!

Application:

306.20012	Linear unit LA 1820 V
306.20013	Linear unit LA 1830 V
306.10013	Linear unit LH 1830 V
306.00553	Table leg TA 1830 V
306.00554	Table leg TA 1840 V
306.00573	Table leg TU 1830 V
306.00463	Table leg TQ 1830 V
306.00627	Table leg TL 1830 V
309.50084	Cylinder CE 1840 V
309.50173	Cylinder CI 1830 V
309.50174	Cylinder CI 1840 V
309.50293	Cylinder CH 1830 V
309.50294	Cylinder CH 1840 V



ERGOSWISS
table lift systems